

DVP 200D2-4 ROOF FAN PLASTIC

Item no. 32295

Version: 2-pol

Document type: Product card

Document date: 2012-07-20

Generated by: Systemair Online Catalogue

Description

- Temperature of transported air from -15°C - +60°C
- Single-flow impellers from PP with effective blade geometry
- Weather-resistant, sturdy casing made from PP
- Motor and terminal box in IP55
- Encapsulated motor, outside the airstream

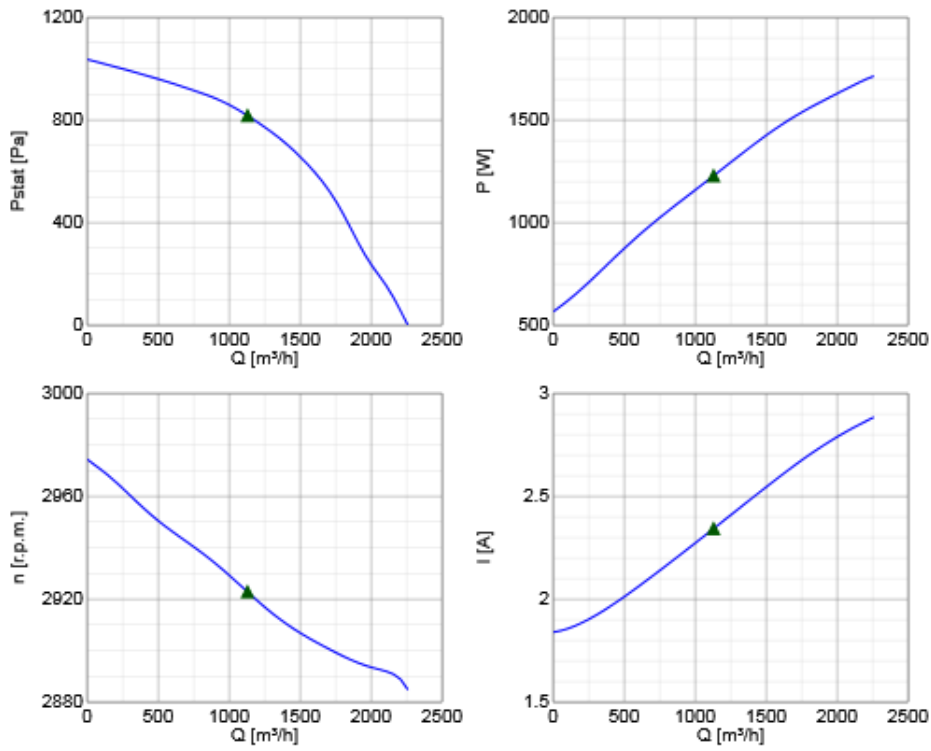
The DVP fans have been developed especially for the exhaust of aggressive media. This is the right fan when corrosive gases, contaminated air or other aggressive components are part of the exhaust air. Typical applications are medical facilities, the food-, electrical-or chemical industry. The casing from PP offers a variety of applications with its connectors from \varnothing 200 - 400 mm. The motor is speed controllable via frequency converter. Motorprotection with protective motor switch to be done on site.



Technical parameters

Parameter	Value	Unit
Voltage	400	V
Frequency	50	Hz
Phase	3	~
Power	1714	W
Current	2.88	A
Max. airflow	2261	m ³ /h
Fan impeller speed	2885	r.p.m.
Max. temperature of transported air	60	°C
Sound pressure level at 4 m	61	dB(A)
Sound pressure level at 10 m	53	dB(A)
Weight	25	kg
Insulation class, motor	F	
Enclosure class, motor	55	IP

Diagrams

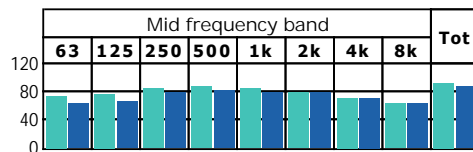


Hydraulic data

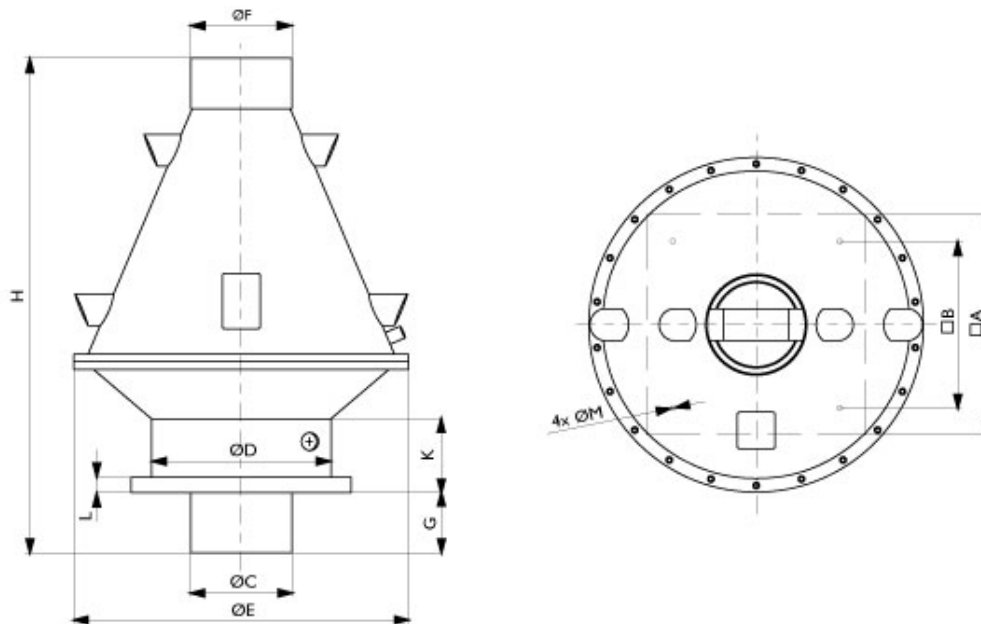
	Working point							
	Q [m³/h]	Pstat [Pa]	P [W]	n [r.p.m.]	I [A]	η [%]	SFP [kW/m³/s]	U [V]
Max efficiency	▲ 1130	▲ 817	▲ 1228	▲ 2923	▲ 2.34	20.9	3.91	400

Acoustic data

Max efficiency	Mid frequency band								Tot
	63	125	250	500	1k	2k	4k	8k	
Inlet [dB(A)]	71	74	83	86	84	78	69	62	90
Outlet [dB(A)]	61	66	78	81	77	76	69	62	85



Dimensions



	$\varnothing A$	$\varnothing B$	$\varnothing C$	$\varnothing D$	$\varnothing E$	$\varnothing F$	G	H	K	L	$\varnothing M$
DVP 200	435	330	200	355	662	200	119	1065	146	30	4x10

Wiring

